

## BL2418I

OUTPUT: APPROX 1W~6W

INNER ROTOR

WEIGHT : 30g ( APPROX)



### Typical Application 典型应用

个人护理(Personal Care)  
家用电器(Home Application)  
电动工具(Power Tools)  
商业设备(Business Equipment)  
医疗器械(Medical Apparatus)

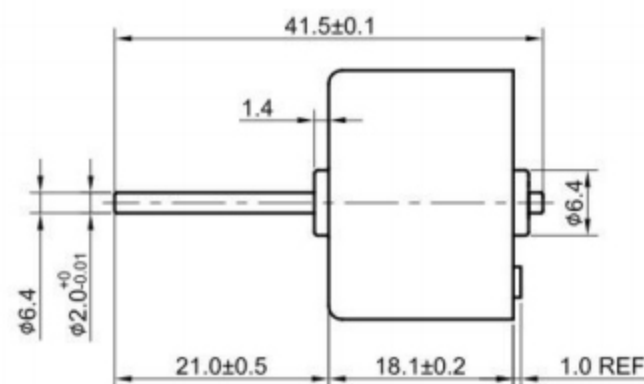
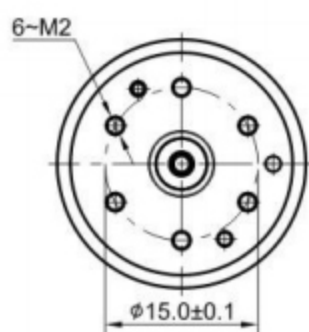
### Motor Terminations 电机端口

| NO. | PIN ARRANGEMENT |
|-----|-----------------|
| 1   | VCC             |
| 2   | FG              |
| 3   | CW/CCW          |
| 4   | GND             |
| 5   | PWM             |

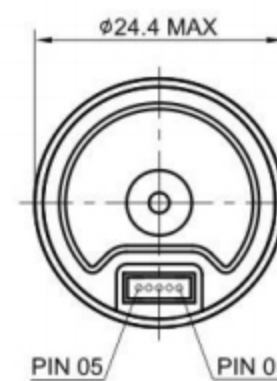
### External Dimensions 外形图

DIRECTION OF ROTATION

(CCW) ← → (CW)



UNIT: MILLIMETERS

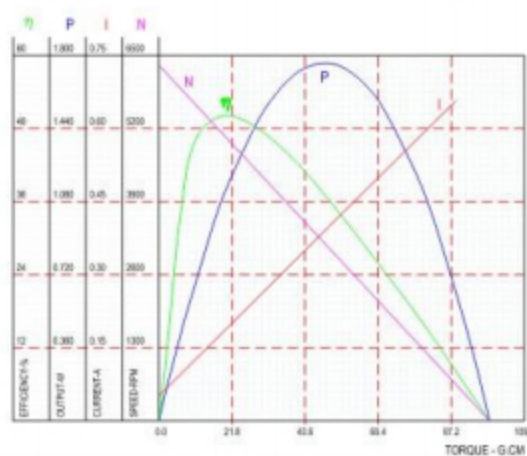


### Major Characteristic Parameters 主要特性参数

| MODEL      | VOLTAGE         |       | NO LOAD |         | AT MAXIMUM EFFICIENCY |         |        |        | STALL  |         |
|------------|-----------------|-------|---------|---------|-----------------------|---------|--------|--------|--------|---------|
|            | OPERATING RANGE | RATED | SPEED   | CURRENT | SPEED                 | CURRENT | TORQUE | OUTPUT | TORQUE | CURRENT |
|            |                 |       | r/min   | A       | r/min                 | A       | g.cm   | W      | g.cm   | A       |
| BL2418I-V1 | 5V~9V           | 6 V   | 7230    | 0.14    | 5784                  | 0.543   | 29.5   | 1.751  | 147.6  | 2.157   |
| BL2418I-V2 | 8V~16V          | 12 V  | 6430    | 0.05    | 5080                  | 0.194   | 22.8   | 1.188  | 108.6  | 0.738   |
| BL2418I-V3 | 8V~26V          | 24 V  | 8900    | 0.045   | 6942                  | 0.164   | 28.7   | 2.04   | 130.2  | 0.588   |

### Performance Curves 性能曲线

BL2418I-V2 12 V



BL2418I-V3 24 V

