

## BL37170

OUTPUT: APPROX 2W~30W

OUTER ROTOR

WEIGHT : 75g (APPROX)



### ● Typical Application 典型应用

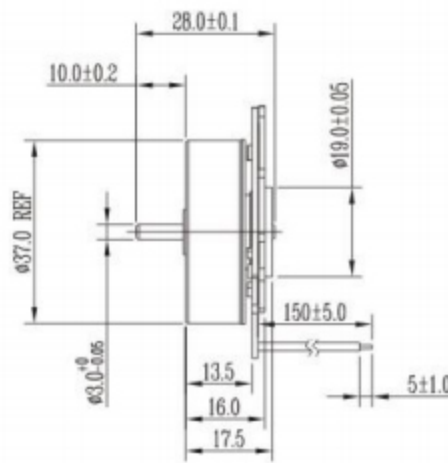
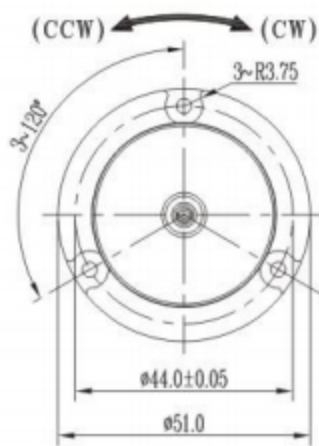
吸尘器 (Vacuum Cleaner)  
家用电器 (Home Application)  
个人护理 (Personal Care)  
商业设备 (Business Equipment)  
医疗器械 (Medical Apparatus)

### ● Motor Terminations 电机端口

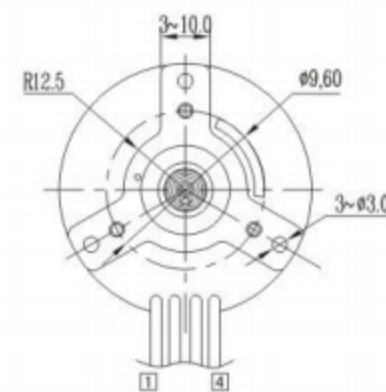
NO.	PIN ARRANGEMENT
1	PWM
2	FG
3	VCC
4	GND

### ◆ External Dimensions 外形图

DIRECTION OF ROTATION



UNIT: MILLIMETERS

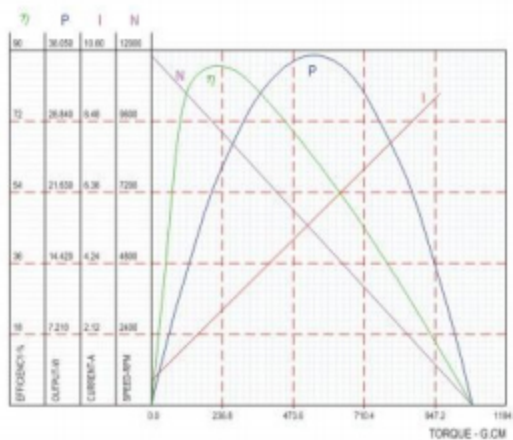


### ◆ Major Characteristic Parameters 主要特性参数

MODEL	VOLTAGE		NO LOAD		AT MAXIMUM EFFICIENCY				STALL	
	OPERATING RANGE	RATED	SPEED	CURRENT	SPEED	CURRENT	TORQUE	OUTPUT	TORQUE	CURRENT
			r/min	A	r/min	A	g.cm	W	g.cm	A
BL37170-V1	8V~16V	12 V	11876	0.25	10332	1.60	153.9	16.31	1184.8	10.64
BL37170-V2	8V~26V	18 V	18020	0.29	15497	1.79	168.4	26.76	1202.7	10.98
BL37170-V3	8V~26V	24 V	23274	0.34	20481	2.61	253.4	53.24	2111.9	19.28

### ◆ Performance Curves 性能曲线

BL37170-V1 12 V



BL37170-V3 24 V

